

Cisco Industrial Ethernet Switches

Ordering Guide

Grow a Manageable Network for Tomorrow, Today.

Industrial Ethernet Switches: Resilient, Secure, and Zero-Touch Deployment

Cisco Industrial Ethernet switches can withstand extreme environments while adhering to industrial network design, compliance, and performance requirements.

Cisco IE Ethernet switch models include:

- **Cisco IE 1000 Series Switches:** Very compact fixed lightly managed switching platform that includes various models providing up to 10 Ethernet interfaces including GE fiber uplinks options and multiple PoE/PoE+ ports.
- **Cisco IE 2000 Series Switches:** Compact fixed switching platform available in two form factors - DIN rail mounting or wall or pole mounting qualified for Ingress Protection 67 (Cisco IE 2000 IP67 model). The 2000 models offer up to 16 10/100Base-T, or Fast Ethernet, interfaces, and two Gigabit Ethernet interfaces. The 2000 IP67 model supports up to 24 Ethernet interfaces. The IE 2000U is designed for specific electrical utility applications.
- **Cisco IE 3000 Series Switches:** Multilayer switching modular platform that includes a main module and expansion modules so you can scale the configuration up to 26 Ethernet interfaces. A fixed 19-inch, one rack unit model is also available, the Cisco IE 3010 Series Switches.
- **Cisco 2500 Series Connected Grid Switches:** A series of 19-inch, one-rack unit fixed-configuration switches designed for electrical utility applications.
- **Cisco IE 4000 Series Switches:** Industry's first DIN rail-mounted 40 Gigabit Ethernet switch platform that offers high bandwidth and low latency. Available in various models with up to 20 Gigabit Ethernet interfaces.
- **Cisco IE 4010 Series Switches:** 19-inch, one-rack unit switches with 28 GE interfaces and up to 24 PoE/PoE+ enabled ports.
- **Cisco IE 5000 Series Switches:** A 19-inch one-rack unit multi-10 Gbps aggregation switch equipped with 24 Gigabit Ethernet ports plus 4 10-Gigabit or 4 1-Gigabit ports, making it ideal for the aggregation and/or backbones in large-scale industrial networks.

Cisco Industrial Ethernet Switches-Ordering Guide

1. Cisco IE 5000 Series Switches-1 Rack Unit

Figure 1 provides an overview of the various ports and connectors available on IE 5000 and **Table 1** lists the available IE5000 product PIDs

Figure 1. Cisco IE 5000 Series Switches Overview

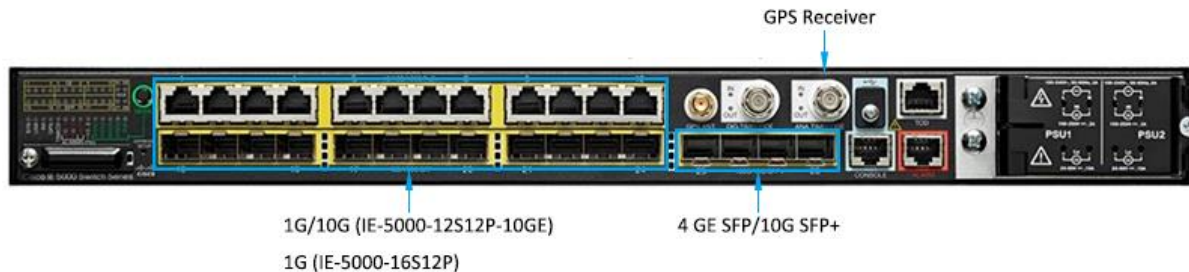


Table 1. Cisco IE 5000 Switches with 10G/1G Access ports (Power Supply Not Included)

Model	Description
IE-5000-12S12P-10G	4 GE/10G SFP/SFP+ uplinks, 12 10/100/1000T & 12 FE/GE SFPs,
IE-5000-16S12P	4 GE SFP uplinks, 12 10/100/1000T & 12 FE/GE SFPs
PWR-RGD-AC-DC-H	Hazloc grade power supply high voltage (88-300VDC/85-264VAC), 150W
PWR-RGD-AC-DC-H=	Hazloc grade power supply high voltage (88-300VDC/85-264VAC), 150W
PWR-RGD-LOW-DC-H	Hazloc grade power supply low voltage (24/48VDC), 150W
PWR-RGD-LOW-DC-H=	Hazloc grade power supply low voltage (24/48VDC), 150W
SD-IE-1GB	SD card
Mounting kit	Refer to Table 20 for the available mounting kits options
L-IE5000-RTU=	RTU license upgrade from LAN base to IP Service via Universal IOS Image
C1F1PIE4K5K1K9	Cisco ONE Foundation Perpetual - IE 4000/5000
C1A1PIE50001K9	Cisco ONE Advanced Perpetual - IE 5000

Following are considerations to Cisco IE 5000 Series Switches:

- High PoE or PoE+ port density usage
- Aggregate-edge routing table requires large IP routing table (8000 IP routes)
- 10G or 1G uplink requirement
- SD card is shipped with unit as flash memory (optional)
- GPS receiver, IRIG-B timing interface
- Utility network environment
- Star topology resilience, up to four stackable capability on the 10G SKU (roadmap)

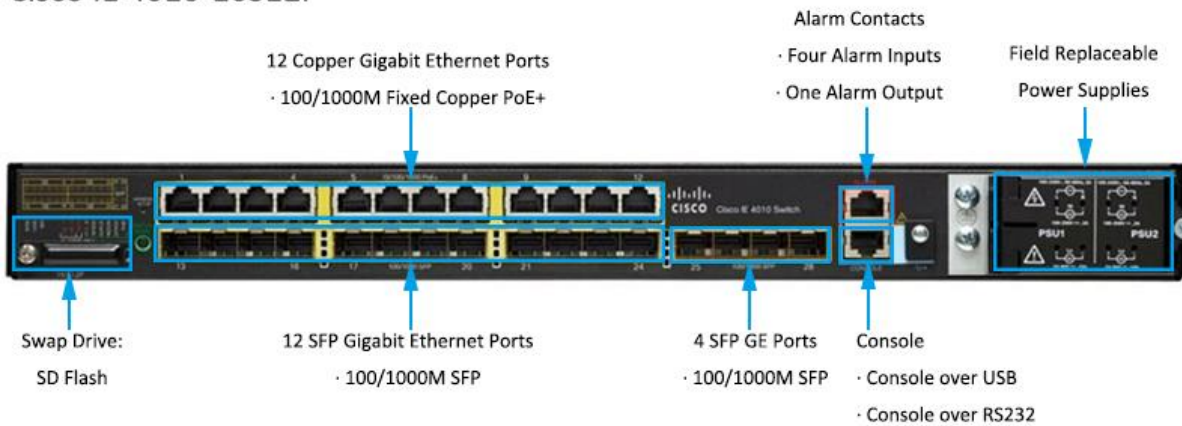
- Minimum one power supply when chassis is ordered

2. Cisco IE 4010 Series Switches-1 Rack Unit

Figure 2 provides an overview of the various ports and connectors available on IE 4010 and **Table 2** lists the available IE4010 product PIDs

Figure 2. Cisco IE 4010 Series Switches Overview

Cisco IE 4010-16S12P



Cisco IE 4010-4S24P

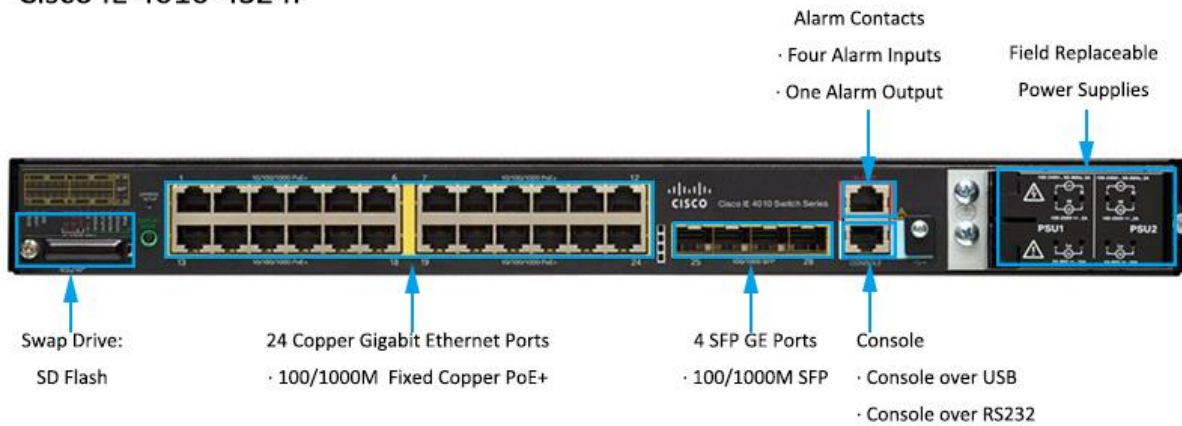


Table 2. Cisco IE 4010 Series Models

Product Number	Total Ports	Uplinks	SFP Fiber Ports (S)	Copper 10/100/1000 PoE/PoE+ Ports	Default Software
IE-4010-16S12P	28	4 SFP (1G)	12 (100/1000M)	12 (10/100/1000M)	LAN Base1
IE-4010-4S24P	28	4 SFP (1G)		24 (10/100/1000M)	LAN Base1

Table 3. Cisco IE4010 Power Supply and Accessory

Model	Description
PWR-RGD-AC-DC-H	Hazloc grade power supply high voltage (88-300VDC/85-264VAC), 150W
PWR-RGD-AC-DC-H=	Hazloc grade power supply high voltage (88-300VDC/85-264VAC), 150W
PWR-RGD-LOW-DC-H	Hazloc grade power supply low voltage (24/48VDC), 150W
PWR-RGD-LOW-DC-H=	Hazloc grade power supply low voltage (24/48VDC), 150W
SD-IE-1GB	SD card

Following are considerations to Cisco IE 4010 Series Switches:

- High PoE or PoE+ port density usage up 12 PoE/6 Poe+ (FCS)
- Aggregate-edge routing table requires large IP routing table (8000 IP routes)
- SD card is shipped with unit as flash memory (optional)
- Utility network environment

3. Cisco IE 3010 Series Switches-1 Rack Unit

Figure 3 shows IE3010 models and overview of the various ports available while Table 4 lists the available IE3010 and Power Supply PIDs

Figure 3. Cisco IE 3010 Series Switches Overview

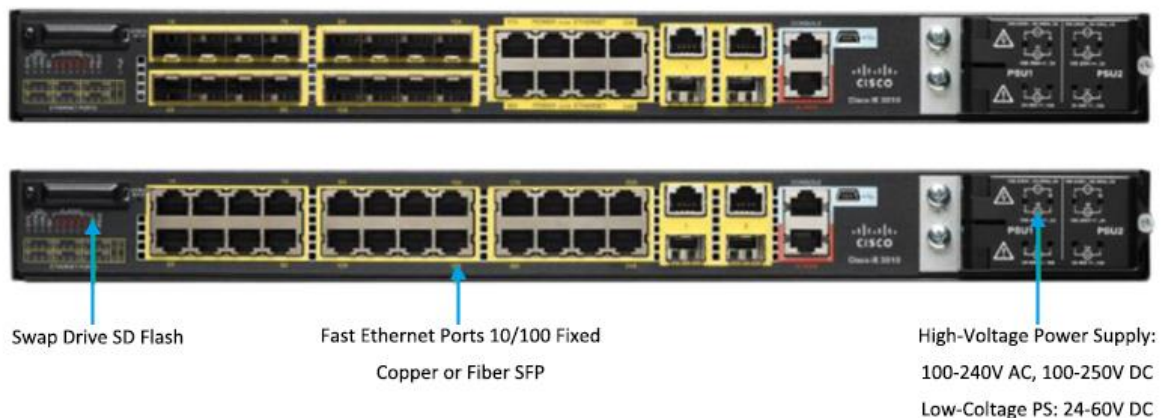


Table 4. IE3010 Switches and Power Supplies (Order Separately)

Model	Description
IE-3010-24TC	Rack mount switch 24 10/100B-T, 2GE combo uplinks, no PSU included
IE-3010-16S-8PC	Rack mount switch 16 100SFP, 8 10/100 PoE, 2 GE combo uplinks, no PSU included
PWR-RGD-LOW-DC/IA	Power supply low DC (24/48V), 150 W
PWR-RGD-AC-DC/IA	Power supply High voltage AC-DC (88-300VDC/85-264VAC), 150W

Following are considerations to order 3010 switches:

- Up to 12 PoE ports, no GE downlink requirement - IE-3010-16S-8PC
- SD card is shipped with unit as flash memory (required)
- Two separate Cisco IOS images: LAN Base and IP Service.

4. Cisco IE 4000 Series Switches-

Figure 4 provides an overview of the various ports and connectors available on IE 4000 and Figure 5 shows the IE4000 different models and the associated product PIDs

Figure 4. Cisco IE 4000 Series Switches Overview

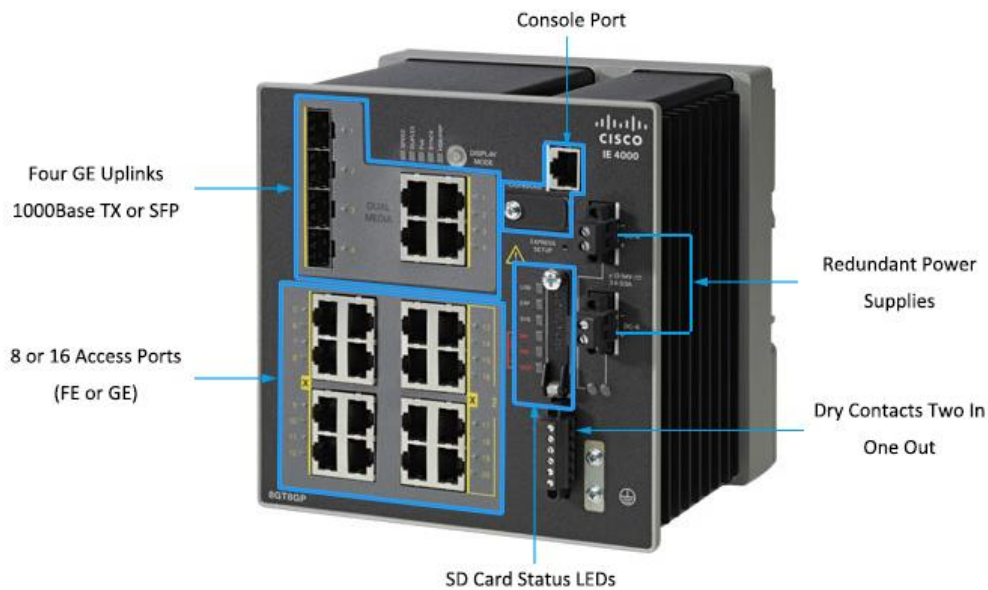


Figure 5. Cisco IE 4000 Series Switches



Table 5 lists IE 4000 Series Models configuration information.

Table 5. Cisco IE 4000 Models

Product Number	Total Ports	GE Combo Uplinks (4G) ¹	Additional Combo Ports	RJ-45 Copper Ports (T)	SFP Fiber Ports (S)	PoE/PoE+ Ports (P, GP)	Default Software
IE-4000-4TC4G-E	8	-	4 (FE)	-	-	-	-
IE-4000-8T4G-E	12	All models have 4 GE combo uplink ports		8 (FE)	-	-	All models ship with LAN Base image ²
IE-4000-8S4G-E	12	-	-	-	8 (FE)	-	-
IE-4000-4T4P4G-E	12	-	-	4 (FE)	-	4 (FE)	-
IE-4000-16T4G-E	20	-	-	16 (FE)	-	-	-
IE-4000-4S8P4G-E	16	-	-	-	4 (FE)	8 (FE)	-
IE-4000-8GT4G-E	12	-	-	8 (GE)	-	-	-
IE-4000-8GS4G-E	12	-	-	-	8 (GE)	-	-
IE-4000-4GC4GP4G-E	12	-	4 (GE)	-	-	4 (GE)	-
IE-4000-16GT4G-E	20	-	-	-	-	-	-
IE-4000-8GT8GP4G-E	20	-	-	8 (GE)	-	8 (GE)	-
IE-4000-4GS8GP4G-E	16	-	-	-	4 (GE)	8 (GE)	-

¹ Combo ports provide one copper and one fiber physical port and only one can be activated at a time.

² Can be upgraded to IP Services at a fee. IP Services License Product Numbers are the following:

- IE4000-RTU= (Paper SW License for IE4000 Switches)
- L-IE4000-RTU= (Electronic SW License for IE4000 Switches)

Learn more: [Cisco IE 4000 Model Selection Guide \(Power Supply Not Included\)](#)

Table 6, Table 7 and Table 8 list the available IE4000 product PIDs.

Table 6. Cisco IE 4000 Series Switches with Fast Ethernet Access Ports

Model	Description
IE-4000-4TC4G-E	IE 4000 4 x combo 10/100M, 4 x 1G Combo, LAN Base
IE-4000-8S4G-E	IE 4000 8 x SFP 100M, 4 x 1G Combo, LAN Base
IE-4000-8T4G-E	IE 4000 8 x RJ45 10/100M, 4 x 1G Combo, LAN Base
IE-4000-4T4P4G-E	IE 4000 4 x RJ45 10/100M, 4 x PoE 10/100M, 4 x 1G Combo, LAN Base
IE-4000-4S8P4G-E	IE 4000 4 x SFP 100M with 8 x PoE, 4 x 1G Combo, LAN Base
IE-4000-16T4G-E	IE 4000 16 x RJ45 10/100M, 4 x 1G Combo, LAN Base

Table 7. Cisco IE 4000 Series Switches with Gigabit Ethernet Access Ports

Model	Description
IE-4000-8GT4G-E	IE 4000 8 x RJ45 10/100/1000, 4 x 1G Combo, LAN Base
IE-4000-4GC4GP4G-E	IE 4000 4 x combo 1G with 4 x 1G PoE, 4 x 1G Combo, LAN Bas
IE-4000-4GS8GP4G-E	IE 4000 4 x SFP 1G with 8 x 1G PoE, 4 x 1G Combo, LAN Base
IE-4000-16GT4G-E	IE 4000 16 x RJ45 10/100/1000M, 4 x 1G Combo, LAN Base
IE-4000-8GS4G-E	IE 4000 8 x SFP 1G, 4 x 1G Combo, LAN Base
IE-4000-8GT8GP4G-E	IE 4000 8 x RJ45 10/100/1000 with 8 x 1G PoE, 4 x 1G Combo

Table 8. Cisco IE 4000 Series Switches License Upgrades

Model	Description
L-IE4000-RTU=	RTU License upgrade from Lanbase to IPService via Universal IOS Image
C1F1PIE4K5K1K9 (*)	Cisco ONE Foundation Perpetual - IE 4000/5000
C1A1PIE40001K9 (*)	Cisco ONE Advanced Perpetual - IE 4000
LIC-MRP-MANAGER=	PROFINET MRP Manager capability - RTU license
LIC-MRP-Client=	PROFINET MRP Client capability – RTU license
LIC-MRP-MULTI-MGR=	PROFINET Multiple MRP Manager for multiple MRP Domains (available 15.2(5)EA)

(*) Available for IE 4000 Series Switches with Gigabit Ethernet Access Ports (Listed in Table 4)

Following are considerations to order Cisco IE 4000 Series Switches:

- Gigabit Ethernet downlinks
- Dual uplink or dual ring redundancy requirement
- Up to 8 PoE or 4 PoE+ ports, one 170W external power supply for both system and PoE
- Field upgradable from LAN Base to IPService using RTU license model
- SD card is shipped with unit as flash memory (optional)
- Profinet MRP ring (MRM, MRC licenses available in 15.2(4)EA1)
- Utility feature application;
- Smart city or outdoor aggregate Layer 3 switch
- External power supply is required, please refer to Section 10 for available options

5. Cisco IE 3000 Series Switches-Modular DIN rail

Figure 6 presents IE 3000 SFP modules expansion options, **Figure 7** present the PoE Module Overview while Table10 lists the available IE3000 PIDs

Figure 6. Cisco IE 3000 Series Switches SFP Modular Overview



Figure 7. Cisco IE 3000 Series Switches PoE Module Overview

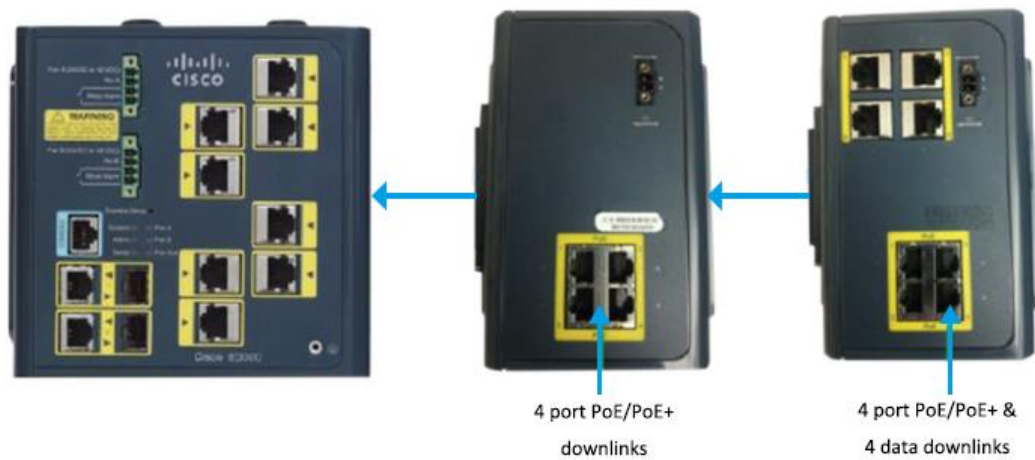


Table 9. Cisco IE 3000 Series Switches with Expansion Modules (Power Supply Not Included)

Model	Description
IE-3000-4TC	Base switch: 4 10/100 copper and 2 combo GE uplinks, LAN base
IE-3000-4TC-E	Base switch w/L3: 4 10/100 copper and 2 combo GE uplinks, L3 IP Service
IE-3000-8TC	Base switch: 8 10/100 copper and 2 combo GE uplinks
IE-3000-8TC-E	Base switch w/L3: 8 10/100 copper and 2 combo GE uplinks
IEM-3000-8TM=	Expansion copper module, 8 10/100 TX ports
IEM-3000-8FM=	Expansion FX fiber module, 8 100FX ports
IEM-3000-4SM=	Expansion SFP module, 4 100MB SFP (min 15.0(2)EY2)
IEM-3000-8SM=	Expansion SFP module, 8 100MB SFP (min 15.0(2)EY2)
IEM-3000-4PC=	Expansion PoE module, 4 100MB PoE/PoE+ (min IOS: 15.0(2)EY2)
IEM-3000-4PC-4TC=	Expansion PoE module, 4 PoE/PoE+ & 4 copper FE, min IOS: (15.0(2)EY2)
SIESISK9T-12252SE=	LAN Base to IP Service upgrade

Following are considerations to order IE3000 switches:

- Modular form factor
- Unsure future port density requirement, allow to expend
- External 24V DC power supply is optional
- Up to 4 PoE or 4 PoE+ ports; option of one 170w external power supply for both system and PoE or two PSUs with one 50W for the switch and 65W for PoE/PoE+
- Compact Flash card is shipped with IE 3000 unit as flash memory required for startup
- Two separate Cisco IOS images: LAN Base and IPService
- External power supply is required, please refer to Section 10 for available options

6. Cisco IE 2000 Series Switches-DIN Rail

Figure 8 provide an overview of the various ports and connectors available on IE 2000, **Figure 9** shows the IE2000 different models and Figure 14 provide a selection guide for IE2000 models

Figure 8. Cisco IE 2000 Series Switches Overview

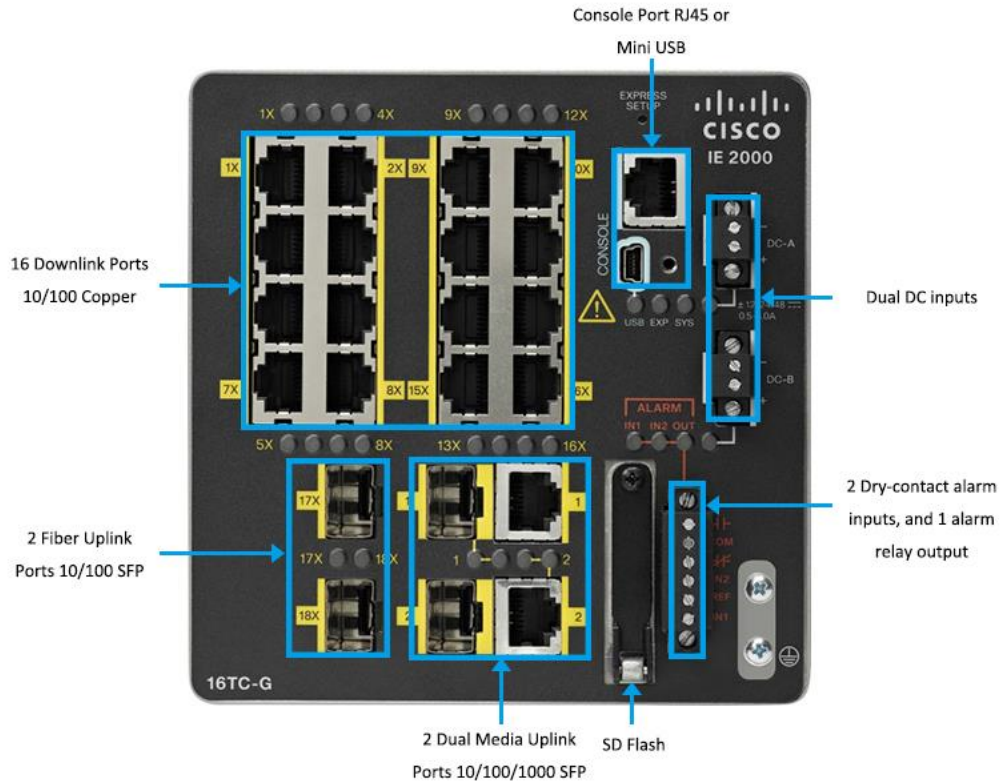
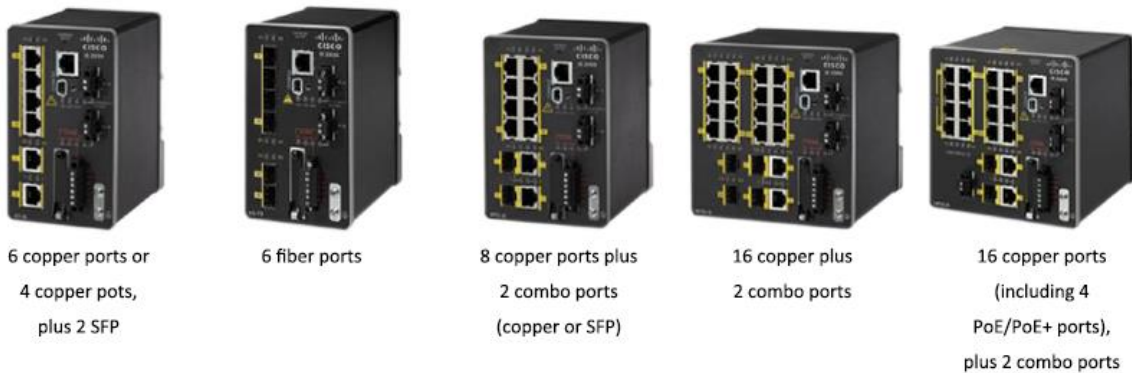


Figure 9. Cisco IE 2000 Series Switches



Learn More: [Cisco IE 2000 Series Switches Selection Guide \(Power Supply Not Included\)](#)

Table 10 lists the IE 2000 Series configuration information, while **Table 11**, **Table 12**, **Table 13**, **Table 14** and **Table 15** list all the available IE2000 product PIDs

Table 10. IE 2000 Configurations

Product Number	Total Ports	RJ45 Ports	Combo Ports	SFP Ports	Manufacturing License	Type of possible Upgrade	IEEE 1588	NAT	PoE(+)	Conformal Coating
IE-2000-4TS-L	6	4 FE		2 FE	LAN Lite	3				
IE-2000-4TS-B	6	4 FE		2 FE	LAN Base	1				
IE-2000-4T-L	6	6 FE			LAN Lite	3				
IE-2000-4T-B	6	6 FE			LAN Base	1				
IE-2000-4TS-G-L	6	4 FE		2 GE	LAN Lite	3				
IE-2000-4TS-G-B	6	4 FE		2 GE	LAN Base	1				
IE-2000-4T-G-L	6	4 FE, 2 GE			LAN Lite	3				
IE-2000-4T-G-B	6	4 FE, 2 GE			LAN Base	1				
IE-2000-4S-TS-G-L	6			4 FE, 2 GE	LAN Lite					
IE-2000-4S-TS-G-B	6			4 FE, 2 GE	LAN Base	1, 3				
IE-2000-8TC-L	10	8 FE	2 GE		LAN Lite	3				
IE-2000-8TC-B	10	8 FE	2 GE		LAN Base	1				
IE-2000-8TC-G-L	10	8 FE	2 GE		LAN Lite	3				
IE-2000-8TC-G-B	10	8 FE	2 GE		LAN Base	1,				
IE-2000-8TC-G-E	10	8 FE	2 GE		LAN Base	1, 2, 4	X	X		
IE-2000-16TC-L	20	16 FE	2 GE	2 FE	LAN Lite	3				
IE-2000-16TC-B	20	16 FE	2 GE	2 FE	LAN Base	1				
IE-2000-16TC-G-L	20	16 FE	2 GE	2 FE	LAN Lite	3				
IE-2000-16TC-G-E	20	16 FE	2 GE	2 FE	LAN Base	1, 2, 4	X	X		
IE-2000-16TC-G-	20	16 FE	2 GE	2 FE	LAN Base	1, 2, 4	X	X		X

Product Number	Total Ports	RJ45 Ports	Combo Ports	SFP Ports	Manufacturing License	Type of possible Upgrade	IEEE 1588	NAT	PoE(+)	Conformal Coating
X										
IE-2000-8TC-G-N	10	8 FE	2 GE		Enhanced LAN Base	1, 2	X	X		
IE-2000-16TC-G-N	20	16 FE	2 GE	2 FE	Enhanced LAN Base	1, 2	X	X		
IE-2000-16PTC-G-L	18	16 FE	2 GE		LAN Lite	3			X	
IE-2000-16PTC-G-E	18	16 FE	2 GE		LAN Base	1, 2	X	X2	X	
IE-2000-16PTC-G-NX	18	16 FE	2 GE		Enhanced LAN Base	1, 2	X	X	X	X

“Type of possible Upgrade” Legend:

- 1: LAN Base to IP Lite Cisco IOS Software Upgrade
- 2: Enhanced LAN Base to IP Lite Cisco IOS Software Upgrade
- 3: LAN Lite to LAN Base Cisco IOS Software Upgrade
- 4: LAN Base to Enhanced LAN Base Cisco IOS Software Upgrade and License Upgrade

Table 11. Cisco IE 2000 Switches with LAN Lite Image Fast Ethernet Uplinks

Model	Description
IE-2000-4TS-L	IE 4 FE copper, 2 FE SFP uplink, Lite
IE-2000-4T-L	IE 4 FE copper, 2 FE copper uplink, Lite
IE-2000-8TC-L	IE 8 FE copper, 2 FE combo, Lite
IE-2000-16TC-L	IE 16 FE copper, 2 FE combo, 2 fiber SFP, Lite

Table 12. Cisco IE 2000 Switches with LAN Lite Image GE Uplinks

Model	Description
IE-2000-4TS-G-L	IE 4 FE copper, 2 GE SFP, Lite
IE-2000-4T-G-L	IE 4 FE copper, 2 GE copper uplink, Lite
IE-2000-4S-TS-G-L	IE 4 FE SFP, 2 GE SFP uplinks, Lite
IE-2000-8TC-G-L	IE 8 FE copper, 2 FE combo uplink, Lite
IE-2000-16TC-G-L	IE 16 FE copper, 2 GE combo, 2 FE SFP, Lite
IE-2000-16PTC-G-L	PoE, IE 16 FE copper (4 PoE/PoE+), 2 GE combo, Lite

Table 13. Cisco IE 2000 Switches with LAN Base Image and Fast Ethernet Uplinks

Model	Description
IE-2000-4TS-B	IE 4 FE copper, 2 FE SFP uplink, Base
IE-2000-4T-B	IE 4 FE copper, 2 FE copper uplink, Base
IE-2000-8TC-B	IE 8 FE copper, 2 FE combo, Base
IE-2000-16TC-B	IE 16 FE copper, 2 FE combo, 2 Fiber SFP, Base

Table 14. Cisco IE 2000 Switches with LAN Base Image and GE Uplinks

Model	Description
IE-2000-4TS-G-B	IE 4 FE copper, 2 GE SFP, Base
IE-2000-4T-G-B	IE 4 FE copper, 2 GE copper uplink, Base
IE-2000-4S-TS-G-B	IE 4 FE SFP, 2GE SFP uplink, Base
IE-2000-8TC-G-B	IE 8 FE copper, 2 GE combo uplink, Base
IE-2000-8TC-G-E	IE 8 FE copper, 2 GE combo uplink with 1588, Base
IE-2000-8TC-G-N	IE 8 FE copper, 2 GE combo uplink with 1588, NAT, Enhanced LAN base
IE-2000-16TC-G-E	IE 16 FE copper, 2 FE SFP, 2 GE combo, 1588, Base
IE-2000-16TC-G-N	16 FE copper, 2 FE SFP, 2 GE combo, 1588 & NAT, Enhanced LAN base
IE-2000-16TC-G-X	IE 16 copper, 2 FE SFP, 2 GE combo, 1588, CC, Base
IE-2000-16PTC-G-E	4 POE/PoE+ with 1588. GE uplinks, Base
IE-2000-16PTC-G-NX	4 POE/PoE+ with 1588, NAT and CC. GE uplinks, Base

Table 15. Cisco IE 2000 Switches License Upgrades

Model	Description
IE2000-L-B=	IE2000 LAN Lite Base to LAN Base Paper License Spare
L-IE2000-L-B=	IE2000 LAN Lite Base to LAN Base E-Lic. spare for upgrade
L-IE2000-B-E=	IE2000 LAN Base to Enhanced LAN Base E-License
IE2000-B-E=	IE2000 LAN Base to Enhanced LAN Base Paper License
LIC-IE2000-IP-L=	IE2000 LAN Base or Enhanced LAN Base to IP Lite E-lic.
LIC-IE2000-L-IP=	IE2000 LAN Lite to IP Lite E-lic (available 15.2(5)EA)
LIC-MRP-MANAGER=	PROFINET MRP Manager capability - RTU license
LIC-MRP-Client=	PROFINET MRP Client capability – RTU license
LIC-MRP-MULTI-MGR=	PROFINET Multiple MRP Manager for multiple MRP Domains (available 15.2(5)EA)

Following are considerations to order Cisco IE 2000 Series Switches:

- Profinet MRP or Ethernet/IP network applications

- External 24V DC power supply is optional for the switch
- Up to 4 PoE or 4 PoE+ ports, option of one 170W external power supply for both system and PoE or two Power supplies with one 24VDC 50W for the switch and one 54VDC for PoE/PoE+
- Field upgradable from LAN Base to IP Lite using Cisco SWIFT license file installation. Note: LAN Lite to IP Lite upgrade is not currently supported
- Profinet MRP ring (requires extra MRM, MRC licenses available 15.2(4)EA)
- SD card memory is optional for IE2000 series. It is recommended to order SD card to achieve zero-touch replacement
- External power supply is required, please refer to Section 10 for available options

Comparison of Cisco IE Switches

The Figure below provides high-level comparison among various Industrial Ethernet Switches families.

Cisco Industrial Ethernet Switches Comparison

Product Family	<u>2000</u>	2000U	2000 IP67	3010	<u>3000</u>	2520	<u>4000</u>	<u>5000</u>
Number of Models	25	7	5	2	2 base and 6 expansion	2	12	1
Total Ports	20	20	24	26	24	26	20	28
Copper Ports	16 Fast Ethernet	16 Fast Ethernet	24 Fast Ethernet/16 Fast Ethernet + 2 GE	24 Fast Ethernet	24 Fast Ethernet	24 Fast Ethernet	16 Fast Ethernet/16 GE	12 Fast Ethernet/GE
SFP Ports	2 GE	2 GE	-	12 Fast Ethernet	12 Fast Ethernet	12 Fast Ethernet	16 Fast Ethernet/GE	12 Fast Ethernet/GE + 4 GE/10G
Combination Ports	2 Fast Ethernet/GE	2 Fast Ethernet/GE	-	2 GE	2 GE	2 GE	4 GE	
PoE/PoE+	Yes (4)	Yes (4)	Yes (8)	Yes (12)	Yes (8)	Yes (12)	Yes (8)	Yes (12)

Product Family	<u>2000</u>	2000U	2000 IP67	3010	<u>3000</u>	2520	<u>4000</u>	<u>5000</u>
Mechanical Form Factor	DIN rail	DIN rail	Wall mountable	19 inches	DIN rail	19 inches	DIN rail	19inches
Ingress Protection Class	IP30	IP30	IP67	IP30	IP20	IP30	IP30	IP30
Maximum Dimensions H x W x D (inches and mm)	5.1 in. x 5.0 in. x 5.26 in. (130 mm x 127 mm x 134 mm)	5.1 in. x 5.0 in. x 5.26 in. (130 mm x 127 mm x 134 mm)	9.5 in. x 14.76 in. x 3.2 in. (241.7 mm x 374.8 mm x 81.5 mm)	1.75 in. x 17.5 in. x 14.0 in. (44.5 mm x 445 mm x 356 mm)	5.8 in. x 6.0 in. x 4.4 in. (147 mm x 152 mm x 112 mm)	1.75 in. x 17.5 in. x 14.0 in. (44.5 mm x 445 mm x 356 mm)	6.12 in. x 6.12 in. x 5.09 in. (155.4 mm x 155.4 mm x 129.2 mm)	1.75 in. x 17.5 in. x 14.0 in. (44.5mm x 445mm x 356 mm)
Maximum Power Consumption Minus PoE	30W	20W	22W	40.3W	15.7W	34.4W	42W	90W
Maximum Weight	4.35 lb (1.97 kg)	4.35 lb (1.97 kg)	8.86 lb (4.02 kg)	10 lb (4.5 kg)	4.4 lb. (2.0 kg)	10 lb (4.5 kg)	6.35 lb (2.88 kg)	13.7 lb (6.2 kg)
HW Warranty Period	5 years	5 years	5 years	5 years	5 years	5 years	5 years	5 years
MTBF	374,052	535,190	374,052	660,730	329,451	543,540	519,190	390,190

More Product Information- Data Sheets

Following are links to more product information.

- [Cisco Industrial Ethernet 5000 Series Switches Data Sheet](#)
- [Cisco Industrial Ethernet 4010 Series Switches Data Sheet](#)
- [Cisco Industrial Ethernet 3000 Layer 2/Layer 3 Series Switches](#)
- [Cisco Industrial Ethernet 4000 Series Switches Data Sheet](#)
- [Cisco Industrial Ethernet 2000 Series Switches Data Sheet](#)

Explore Cisco switches for your access, distribution, core and data center networks.

[Guide to Upgrade Cisco Access and Backbone Switch](#)

[Selecting Cisco Switches-Campus, Branch, Digital Building](#)

[Find the Right 3650 and 3850 Models](#)

[Cisco's New Switch Selection Decision 2018](#)

[Cisco Catalyst 4500/6500/6800 Series Transition Guide](#)

[Cisco Catalyst 2960/2960-SF/2960-S Series Transition Guide](#)

[Cisco Switches vs. HPE/Aruba Switches](#)

[Cisco SMB Switches Transition Guide](#)

Shop by

1. Trendy Cisco Switches:

[Cisco SMB Switches/250 Series](#), [350X Series](#), [550X Series](#), [Cisco Meraki MS Series Switches](#), [Cisco 2960X](#), [Cisco 2960S](#), [Cisco 2960+](#), [Cisco 2960XR](#), [Cisco 2960L](#), [Cisco Catalyst 3650](#), [Cisco Catalyst 3850](#), [Cisco Catalyst 9300](#), [Cisco Catalyst 9400](#), [Cisco Catalyst 9500](#)

2. Top Huawei Switches:

[S5700-LI Series](#), [S5700-SI Series](#), [S5700-EI Series](#), [S5700-HI Series](#), [S5720-LI Series](#), [S5720-SI Series](#), [S5720-EI Series](#), [S5720-HI Series](#)

3. Popular HPE Switches:

[Aruba Switches/Aruba 2530 Switch Series/Aruba 2920 Switch Series/Aruba 2930F Switch Series/Aruba 3810 Switch Series/Aruba 5400R z12 Switch Series](#), [HPE Data Center Switches](#), [HPE ProCurve Switches](#)